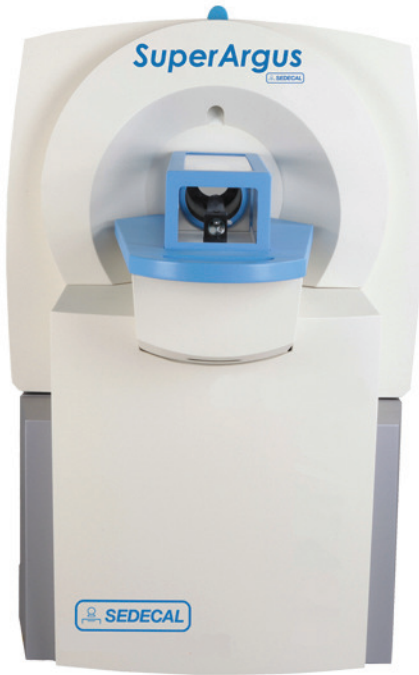


# SuperArgus PET/CT

State of the art technology



The new Super Argus PET/CT family is the latest evolution of the Argus PET/CT scanner

The new scanners combine the "Unique Phoswich DOI Technology" with the highest FOV in the market (axial and transversal), which permits extending PET/CT studies to larger animals. The configurations available are focused in the animal sizes having two diameters and three axial FOV: 5 cm, 10 cm and 15 cm which correspond to 2, 4 or 6 rings depending on customer needs and with the option to be upgraded later on.

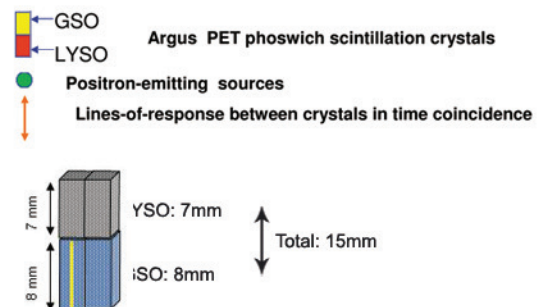
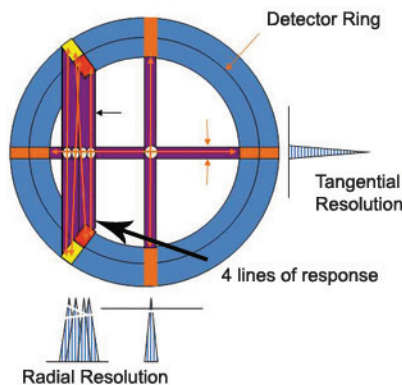
Super Argus has been designed with the aim of satisfying the professional demands, such as improving ease of use and providing a multi-animal bed system, which allows a high throughput.

The new CT, is also focused on new market demands, such as low dose, fast scanning time, high resolution mode and advanced applications (dual energy and dual exposure).

## 3D-OSEM with 4 lines of response

### UNIQUE PHOSWICH DOI TECHNOLOGY:

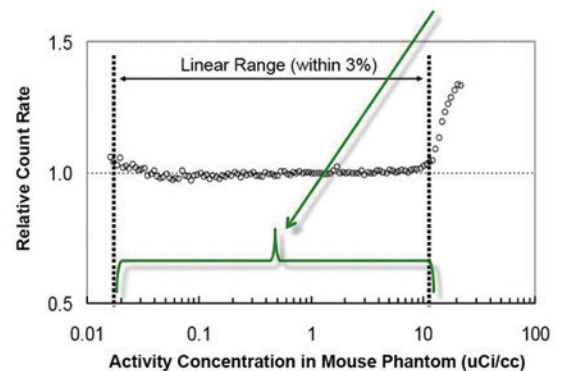
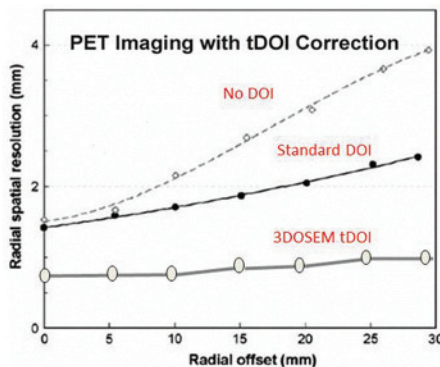
The true-DOI, combine the 4 lines of response: GSO-GSO, LYSO-LYSO, LYSO-GSO & GSO - LYSO with the ultra-fast FIRST 3D-OSEM algorithm



### LEADER ADVANCED TECHNOLOGY

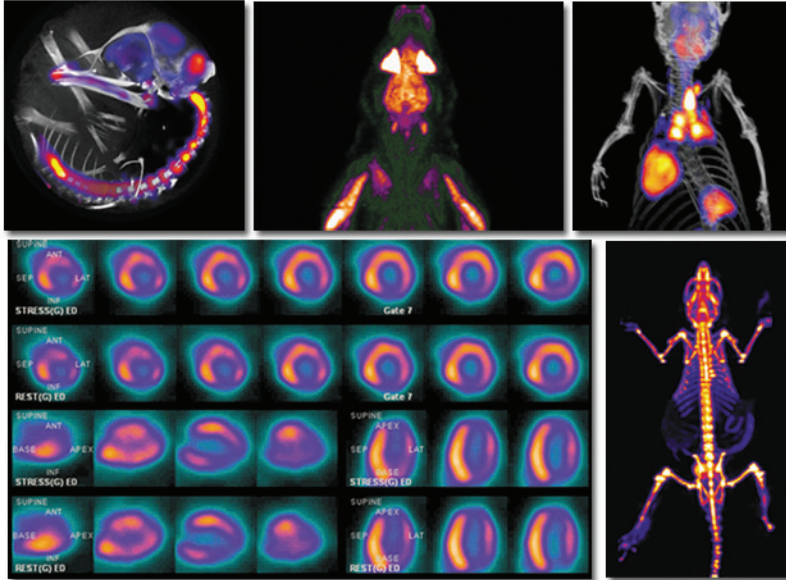
This unique detector technology allows near constant and very high resolution along complete FOV, from the centre to the edge of the imaging chamber. In solving the parallax phenomena, we can achieve submillimetre resolution with a high sensitivity, this enabling greater quantitative accuracy.

Uniform resolution across FOV, Dynamic scanning, High sensitivity, Parallax correction



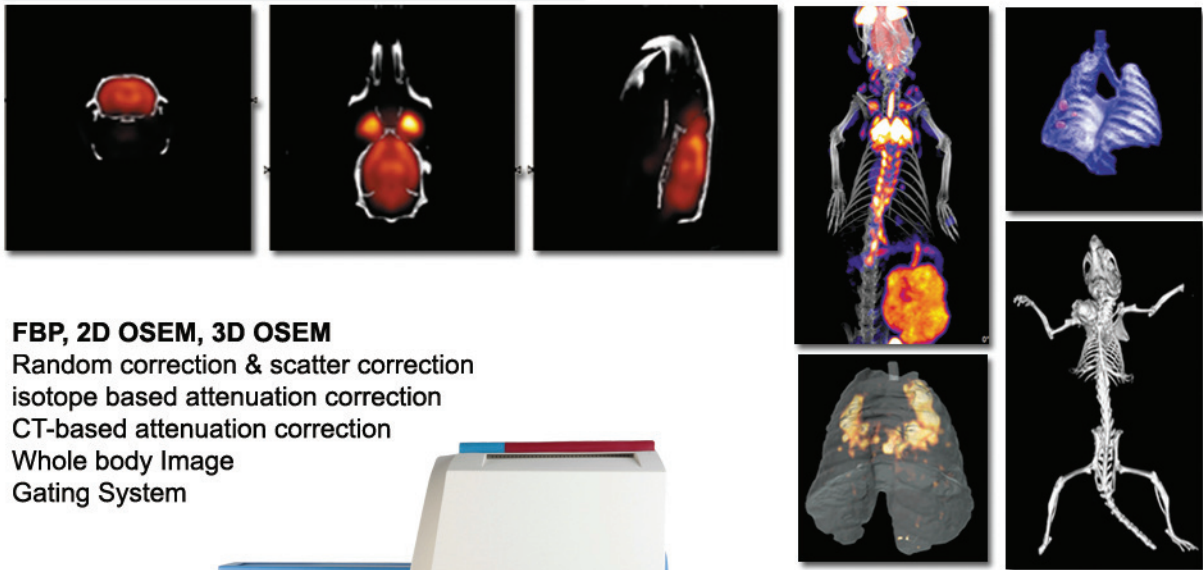
# Applications

(SuperArgus PET/CT main applications)



Thanks to its high spatial resolution, high sensitivity, high temporal resolution and gating capabilities, SuperArgus is extremely well-suited for all research fields:

- Oncology
- Neurology
- Cardiology
- Disease Biology
- Toxicology



## FBP, 2D OSEM, 3D OSEM

Random correction & scatter correction  
 isotope based attenuation correction  
 CT-based attenuation correction  
 Whole body Image  
 Gating System



**True quantification capabilities**

**Dynamic & Kinetic acquisition**

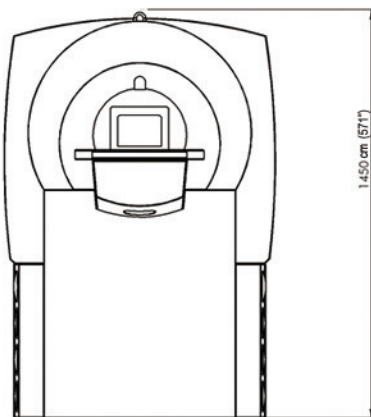
**Very fast reconstruction**

## SuperArgus PET/CT family upgrade Path & System (Specifications)

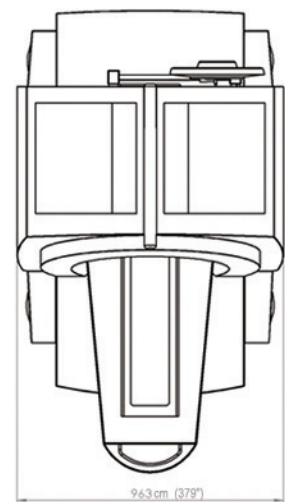
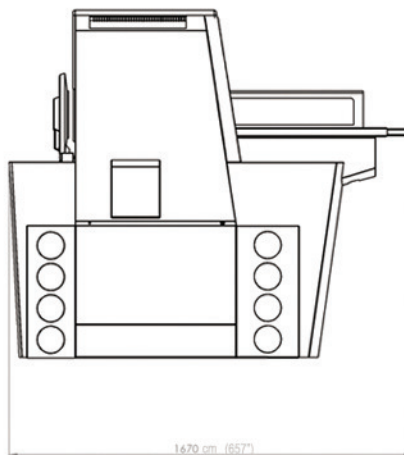
Models /Feature	SuperArgus PET/CT 2r	SuperArgus PET/CT 2R	SuperArgus PET/CT 4R	SuperArgus PET/CT 6R
Animals	Mice, rats and marmosets	Mice, rats, rabbits and marmosets	Mice, rats, rabbits and marmosets	Mice, rats, rabbits and marmosets
Dynamic Axial FOV	180 mm	350 mm	350 mm	350 mm
Axial FOV	47 mm	47 mm	100 mm	151 mm
Transaxial FOV	68 mm	120 mm	120 mm	120 mm
Ring Diameter	118 mm	180 mm	180 mm	180 mm
Bore Size	80 mm	160 mm	160 mm	160 mm
Bore Size	36	48	96	144
DOI crystals	12168	16224	32448	48672
Máx animal weight	—	3kg	3kg	3kg

\* Information and specifications are subject to change without prior notice

### DIMENSIONS :



- Weight: 700 Kg



SEDECAL  
 C/ Pelaya, 13 - Polígono Industrial "Río de Janeiro"  
 28110 - Algete (Madrid-SPAIN)  
 Central Offices:  
 Tel: (34) 91 - 628 0544  
 Fax: (34) 902 190 385  
 Email: [info@sedecal.com](mailto:info@sedecal.com)



SEDECAL USA Inc  
 230 Lexington Drive  
 Buffalo Grove, Illinois 60089  
 USA. Tel: 1 (847) 394 - 6960  
 Fax: 1 (847) 394 - 6966  
 Email: [info@sedecalusa.com](mailto:info@sedecalusa.com)  
[www.sedecal.com](http://www.sedecal.com)